

TIVAR® DrySlide

The fastest lane in parcel handling equipment



TIVAR® DrySlide

TIVAR® DrySlide is a UHMW-PE material with optimised sliding and wear properties. Due to its anti-static properties and extremely low coefficient of friction TIVAR® DrySlide is used to promote a safe, steady flow throughout the chute system. TIVAR® DrySlide has a built-in dry lubricant which eliminates the need for silicone sprays, graphite and waxes and will reduce ongoing maintenance costs within the hub.



Advantages

TIVAR® DrySlide is an effective lining material, available to suit any style of chute, straight, bends or spiral. It reduces blockages within the system and promotes consistent parcel and package flow. TIVAR® DrySlide chute linings are available as complete turnkey solutions, from design to installation in new or retro-fit. This excellent wear material is superior with both light or heavier packages in dry, dusty or dirty applications.

Customer benefits

- Extremely low coefficient of friction reduces sticking and parcel hang-ups
- Packages containing magnets do not stick to chutes
- Not affected by humidity; no more jams on your line
- Reduced sorting times as there is no need to polish or lubricate the chutes
- Increased speed and productivity
- Material is anti-static and UV stabilized for outdoor use
- Minimize health & safety issues from blocked chutes

Properties:

- Polymer material (UHMW-PE) with built-in dry lubricant
- Anti-static
- Self-lubricating
- UV-resistant
- Extremely low coefficient of friction
- Optimised sliding and wear properties
- Provides non-magnetic surface on steel chutes



TIVAR[®]
DrySlide

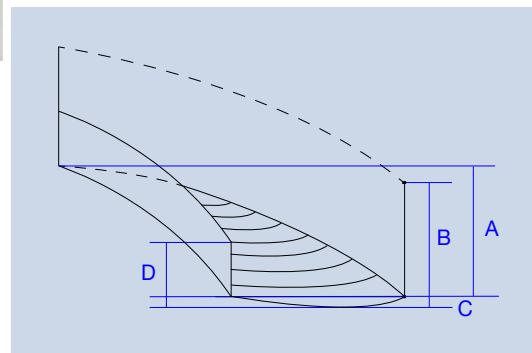
Typical application fields:

- Linings for steel chutes (both new and retro-fit), linings for transfer walls, linings for slides
- Fibre glass chutes punctured by parcels
- Diverter gates and bars
- Side skirts

Product availability:

- All linings will be custom manufactured to meet specific needs
- Lining will allow an easy retro-fit into any chute configuration

Solid performance. Dependable materials. Reliable results. Don't let a sticky chute keep you from the front of the pack in the global postal/parcel race.



Europe

Mitsubishi Chemical
Advanced Materials NV
Galgenveldstraat 12
8700 Tielt, Belgium
T +32[0] 51 42 35 11
F +32[0] 51 42 33 10
contact@mcam.com

North America

Mitsubishi Chemical
Advanced Materials Inc.
2120 Fairmont Avenue
PO Box 14235 - Reading, PA 19612-4235
T 800 366 0300 | +1 610 320 6600
F 800 366 0301 | +1 610 320 6638
contact@mcam.com

Asia-Pacific

Mitsubishi Chemical
Advanced Materials Asia Pacific Ltd.
Unit 7B, 35/F, Cable TV Tower,
9 Hoi Shing Road, Tsuen Wan, Hong Kong
T +852 2470 26 83
F +852 2478 99 66
contact@mcam.com

All statements, technical information, recommendations, and advice are for informational purposes only and are not intended and should not be construed as a warranty of any type or term of sale. The reader, however, is cautioned that Mitsubishi Chemical Advanced Materials does not guarantee the accuracy or completeness of this information and it is the customer's responsibility to test and assess the suitability of the products of Mitsubishi Chemical Advanced Materials in any given application or for use in a finished device.

TIVAR[®] is a registered trademark of Mitsubishi Chemical Advanced Materials.

mcam.com

Follow us



@MCAMconnect

